

M12 MALE 0°

PUR 12x0,14 black drag ch AIN 1.5m

Male straight

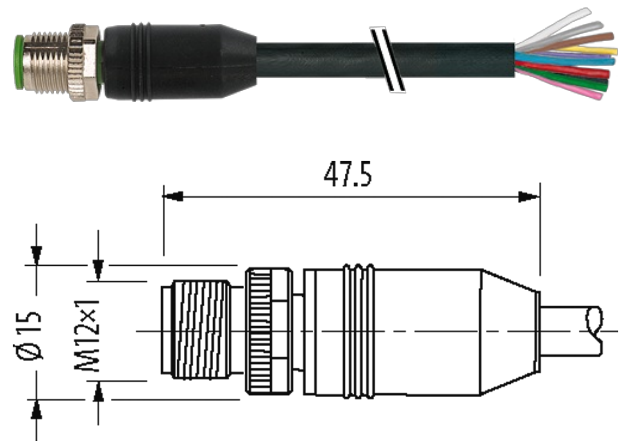
M12, 12-pole

Art-No. 7005 - M12 Lite - (plastic hexagonal screw) on request
with cable sleeves

Plastic housings with good resistance against chemicals and oils.

The resistance to aggressive media should be individually tested for your application. Further details on request.

Further cable lengths on request.

[Link to Product](#)**Illustration**

Product may differ from Image

Approvals

cCSAus

* only for products with UL/CSA approved cable

Form

Form 19001

General data

| | |
|-------------------|--|
| Standards | DIN EN 61076-2-101 (M12) |
| Pollution Degree | 3 |
| Temperature range | -25...+85 °C, depending on cable quality |

Cables

| | |
|----------------------------|---|
| No./diameter of wires | 12× 0.14 mm ² |
| Wire isolation | PP (br, bl, wh, gn, pk, ye, bk, gr, rd, vi, grpk, rdbl) |
| C-track properties | 2 Mio. |
| Material (jacket) | PUR (UL/CSA) |
| Outer Ø | 6.0 mm ±5% |
| Bend radius (moving) | 10× outer Ø |
| Temperature range (fixed) | -40...+85 °C |
| Temperature range (mobile) | -25...+85 °C |
| Cable identification | 705 |
| Approval (cable) | UL (AWM-Style 20233/10493), CSA; CE conform |

| | |
|------------------------------------|---|
| Cable weight [g/m] | 45,10 |
| Material (wire) | Cu wire, bare |
| Resistor (core) | max. 138 Ω/km (20 °C) |
| Single wire Ø (core) | 0.1 mm |
| Construction (core) | 18× 0.1 mm (multi-strand wire class 6) |
| Diameter (core) | 12× 0.14 mm ² |
| AWG | similar to AWG 26 |
| Material (wire isolation) | PP |
| Material property (wire isolation) | CFC-, halogen-, cadmium-, silicone- and lead-free |
| Wire-Ø incl. isolation | 1.0 mm ±5% |
| Color/numbering of wires | br, rd, gr, bk, ye, pk, gn, wh, bl, rdbl, grpk, vi |
| Shield | no |
| Material (jacket) | PUR |
| Shore hardness (jacket) | 92 ±5 A |
| Outer-Ø (jacket) | 6.0 mm ±5% |
| Color (jacket) | black |
| chemical resistance | good resistance to oil, gasoline and chemicals (VDE 0472 Teil 803 Test B) |
| Nominal voltage | 300 V AC |
| Test voltage | 1500 V AC |
| Temperature range (fixed) | -40...+85 °C |
| Temperature range (mobile) | -25...+85 °C |
| Bend radius (fixed) | 7.5× outer Ø |
| Bend radius (moving) | 10× outer Ø |
| No. of bending cycles (C-track) | max. 2 Mio. (25 °C) |
| Traversing distance (C-track) | max. 5 m (horizontal) |
| Travel speed (C-track) | max. 3.3 m/s |
| Acceleration (C-track) | max. 5 m/s ² |
| Torsion stress | ±180°/m |
| Jacket Color | black |

Technical Data

| | |
|---|--|
| Operating voltage | max. 30 V AC/DC |
| Rated surge voltage | 0.8 kV |
| Operating current per contact | max. 1.5 A |
| Material group | IEC 60664-1, category I |
| Coding | A-coded |
| Locking of ports | Screw thread (M12×1 mm) recommended torque 0.6 Nm, self-securing |
| Compression gland | M12 (SW13) |
| Protection | IP65, IP66K, IP67 inserted and tightened (EN 60529) |
| Locking material | Zinc die casting, nickel-plated |
| Material | PUR |
| suitable for corrugated tube (internal Ø) | without |

Commercial data

| | |
|-----------------------|---------------|
| country of origin | DE |
| customs tariff number | 85444290 |
| EAN | 4048879189361 |
| eClass | 27279218 |
| Packaging unit | 1 |

Sketch

| | | |
|----|---|-----------|
| 1 | ■ | brown |
| 2 | ■ | blue |
| 3 | ■ | white |
| 4 | ■ | green |
| 5 | ■ | pink |
| 6 | ■ | yellow |
| 7 | ■ | black |
| 8 | ■ | gray |
| 9 | ■ | red |
| 10 | ■ | violet |
| 11 | ■ | gray/pink |
| 12 | ■ | red/blue |

Product may differ from Image